



Product datasheet

Internal / external traffic lights

Type: PBEA

Contact:



Ronnenberger Straße 20
D-30989 Gehrden

phone +49 (0) 5108 879 270
fax +49 (0) 5108 879 2710

info@promstahl.de
www.promstahl.de

General information

It always makes sense to upgrade your docking station by means of internal and/or external traffic lights. It is recommended to equip your docking station with a wheel chock and traffic lights.

PROMStahl PBEA traffic lights guarantee communication between the truck driver and the warehouse personnel. They indicate when the lorry can dock in or leave the dock without any problems, if connected to our control unit, the traffic lights system can be set according to your individual requirements on site.

Standard type PBEA traffic light 05

Technical specification:

- suitable as internal or external traffic lights (red/green)
- strong colours thanks to LEDs
- Clear lenses
- simple installation by means of integrated bracing arm
- protection class: IP 65
- service life: up to 50,000 hours
- LED lamp can be rotated by 360° resulting in optimal visibility of the signal



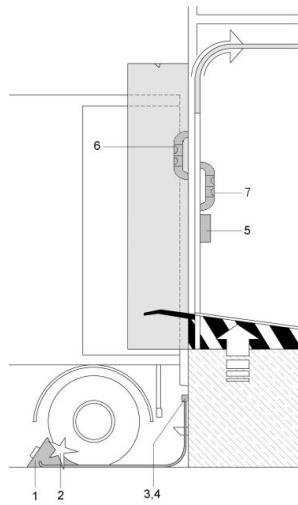
Option type PBEA traffic light 07

Technical specification:

- suitable as internal or external traffic lights (red/green)
- dimensions: 320 x 162 x 85 mm
- strong colours thanks to LEDs
- Lenses red and green
- protection class: IP 65
- service life > 25,000 hours
- traffic lights can be rotated by 180° resulting in optimal visibility of the signal

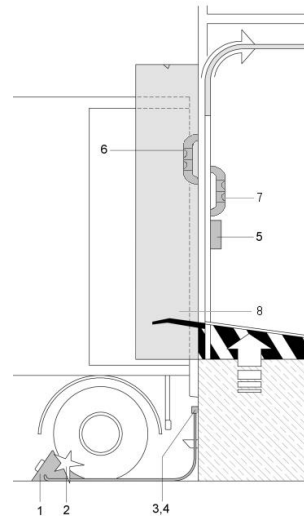


Sensor-controlled safety wheel chock with traffic lights



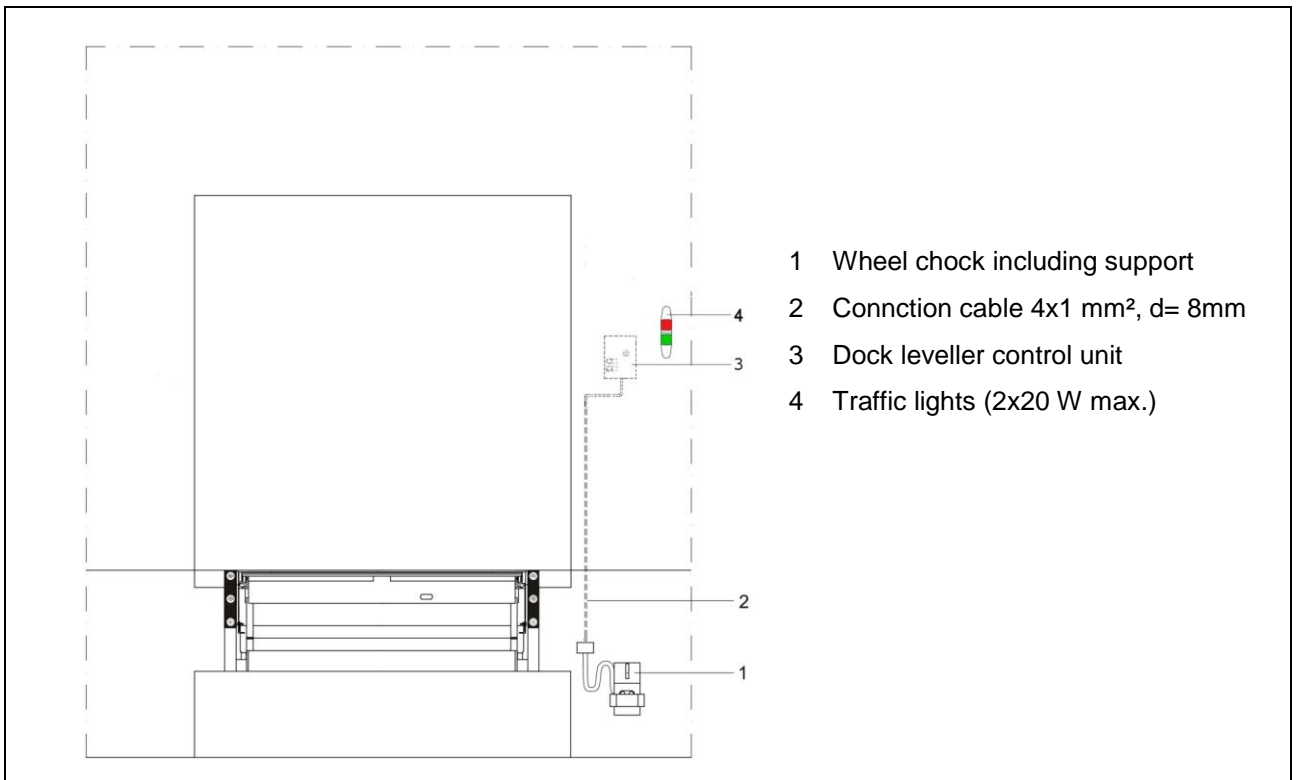
- 1 Wheel chock
- 2 Sensor
- 3 Connection box
- 4 Plug connection (option)
- 5 Dock leveller control unit
- 6 External traffic lights
- 7 Internal lights inside

Sensor-controlled safety wheel chock with traffic lights and vehicle detection system



- 1 Wheel chock
- 2 Sensor
- 3 Connection box
- 4 Plug connection (option)
- 5 Dock leveller control unit
- 6 External traffic lights
- 7 Internal lights inside
- 8 Vehicle detection system

Electrical connection of PROMStahl traffic lights system with wheel chock



- 1 Wheel chock including support
- 2 Connction cable 4x1 mm², d= 8mm
- 3 Dock leveller control unit
- 4 Traffic lights (2x20 W max.)