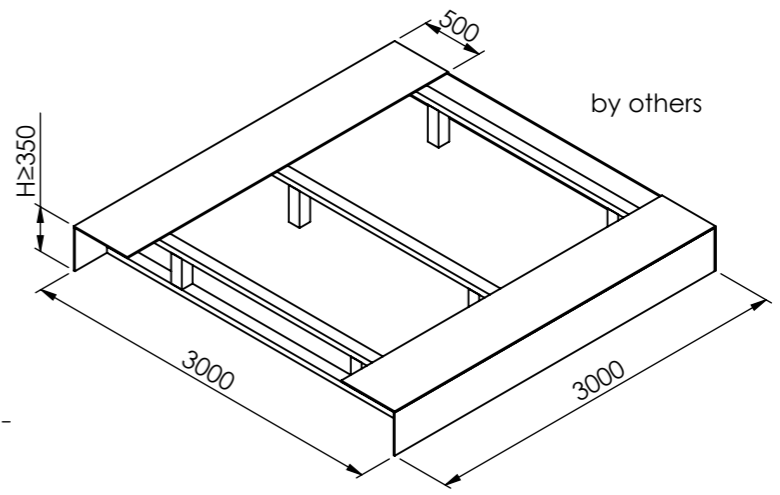
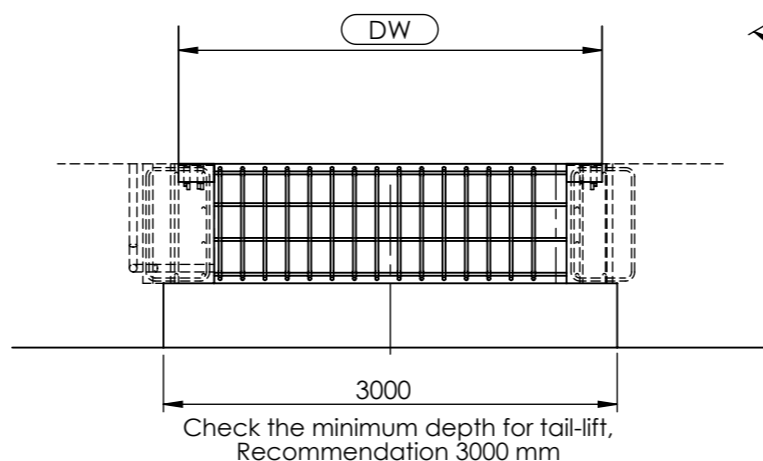
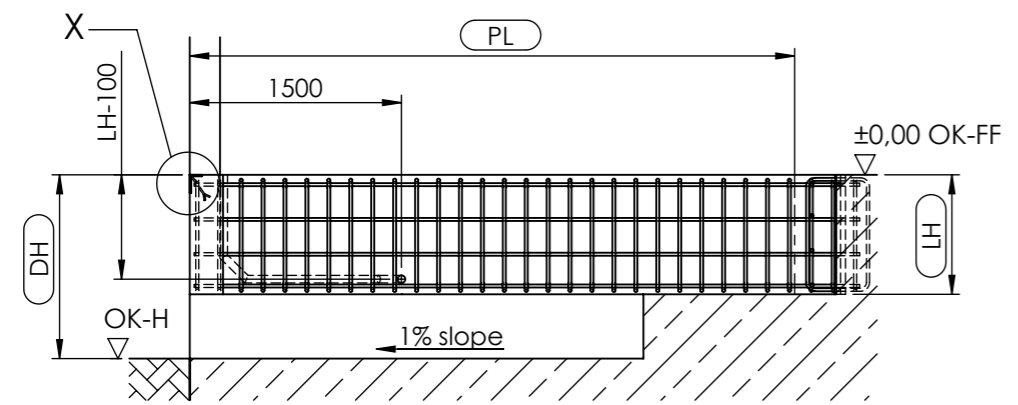
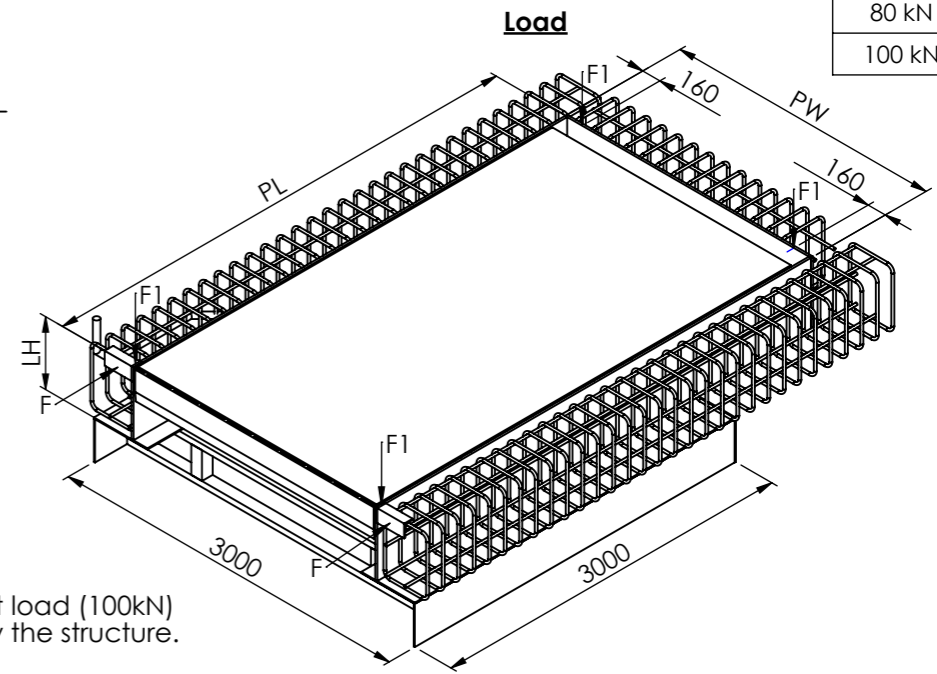


SECTION A-A

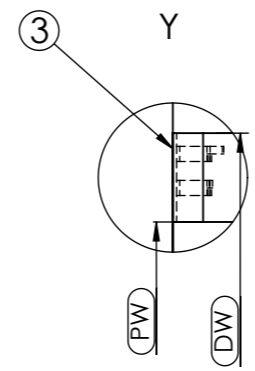
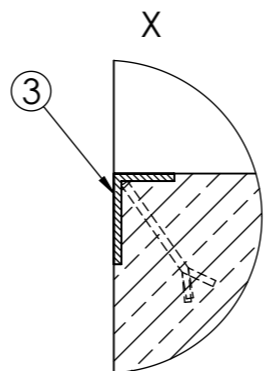
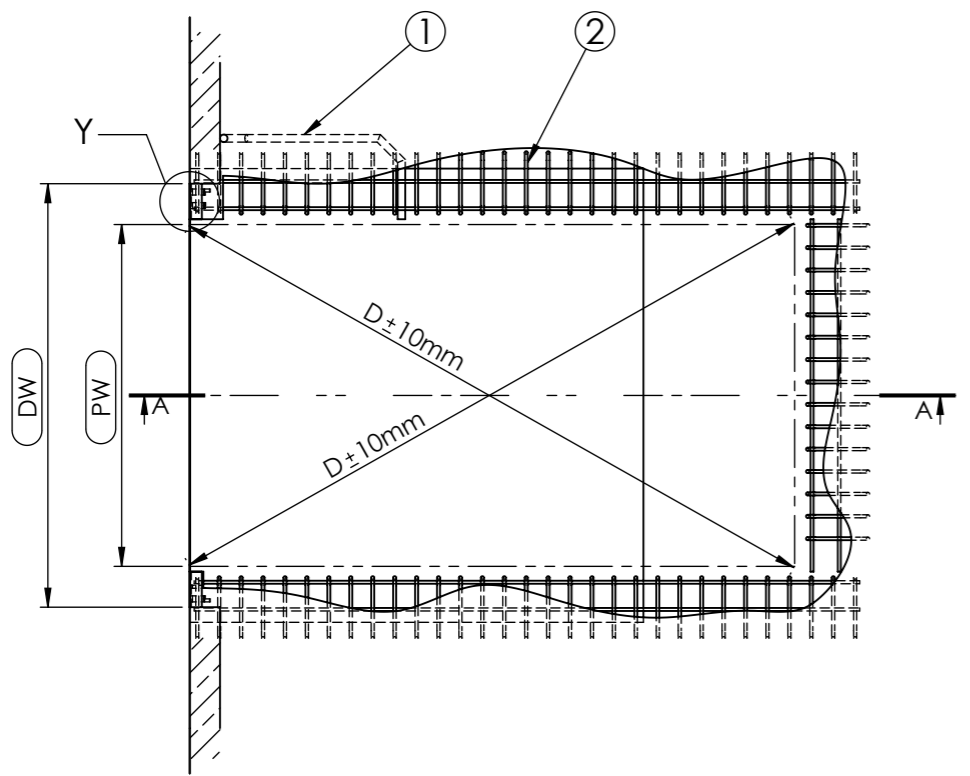


Load capacity	F1
60 kN	57 kN
80 kN	76 kN
100 kN	95 kN



F = The horizontal impact load (100kN) must be absorbed by the structure.
F1= Cross traffic position

Placement of the conduits: either on the right or on the left side.
Illustration: installation on the right side



DH = Dock height LH = Leveller height OK-FF = Finish floor level OK-H = Yard level PW = Pit width DW = Door width NL = Nominal length PL = Pit length	by others: ① - Conduit for wiring internal diameter min. 50mm, angles <45° ② - Reinforcement ③ - Steel profile e.g. angle 120x80x10 Attention: - Do not deviate from the measurements given - The pit walls must be vertical -The corners of the pit must be square (diagonals must be equal) - The preparation of the pit and the dowels by others
----------------------------------------------------------------------------------------------------------------------------------------------------------------------------	-------------------------------------------------------------------------------------------------------------------------------------------------------------------------------------------------------------------------------------------------------------------------------------------------------------------------------------------------------------------------------

Installation place drawn: NL=4000
NW=2200
LH=800

NL	1750	2000	2000	2500	2500	2750	2750	3000	3000	3500	4000	4500
PL	1805	2055	2055	2555	2555	2805	2805	3055	3055	3555	4055	4555
LH	700	600	700	600	700	600	700	600	700	800	800	800

NW	PW
1750	1880
2000	2130
2100	2230
2200	2330
2250	2380
2400	2530

DIMENSIONS ARE IN MILLIMETERS

DO NOT SCALE DRAWING

REVISION C

NAME	SIGNATURE	DATE
R. Stuszczak		24.05.2023

PJP MAKRUM
Industrial Group

PJP MAKRUM S.A.
Plac Kościeleckich 3
85-033 Bydgoszcz
POLAND

TITLE:
PT B with tail lift

DWG NO.
PTE.00.00.25-EN

SCALE:1:50

EN

A3