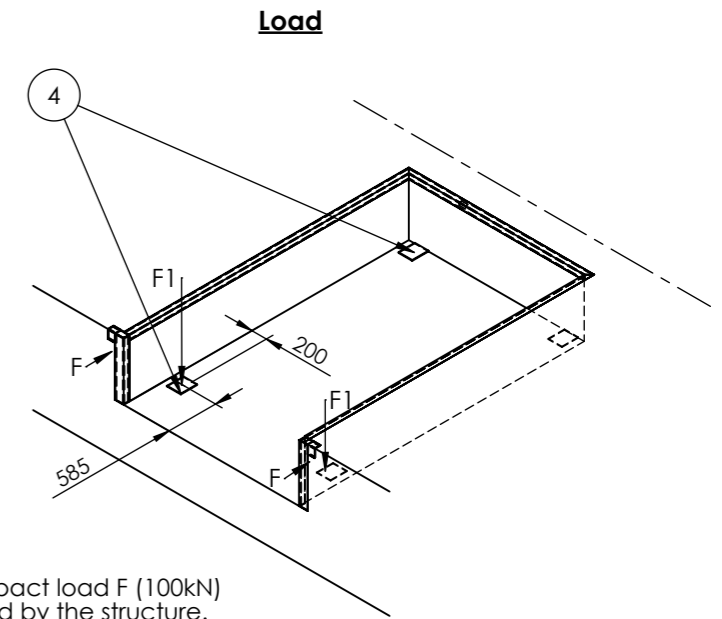
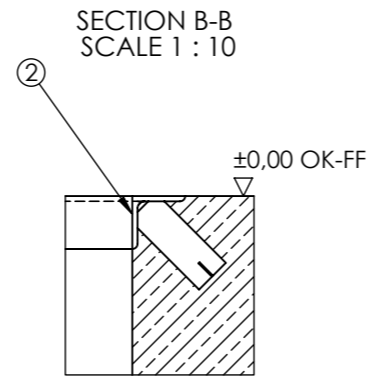
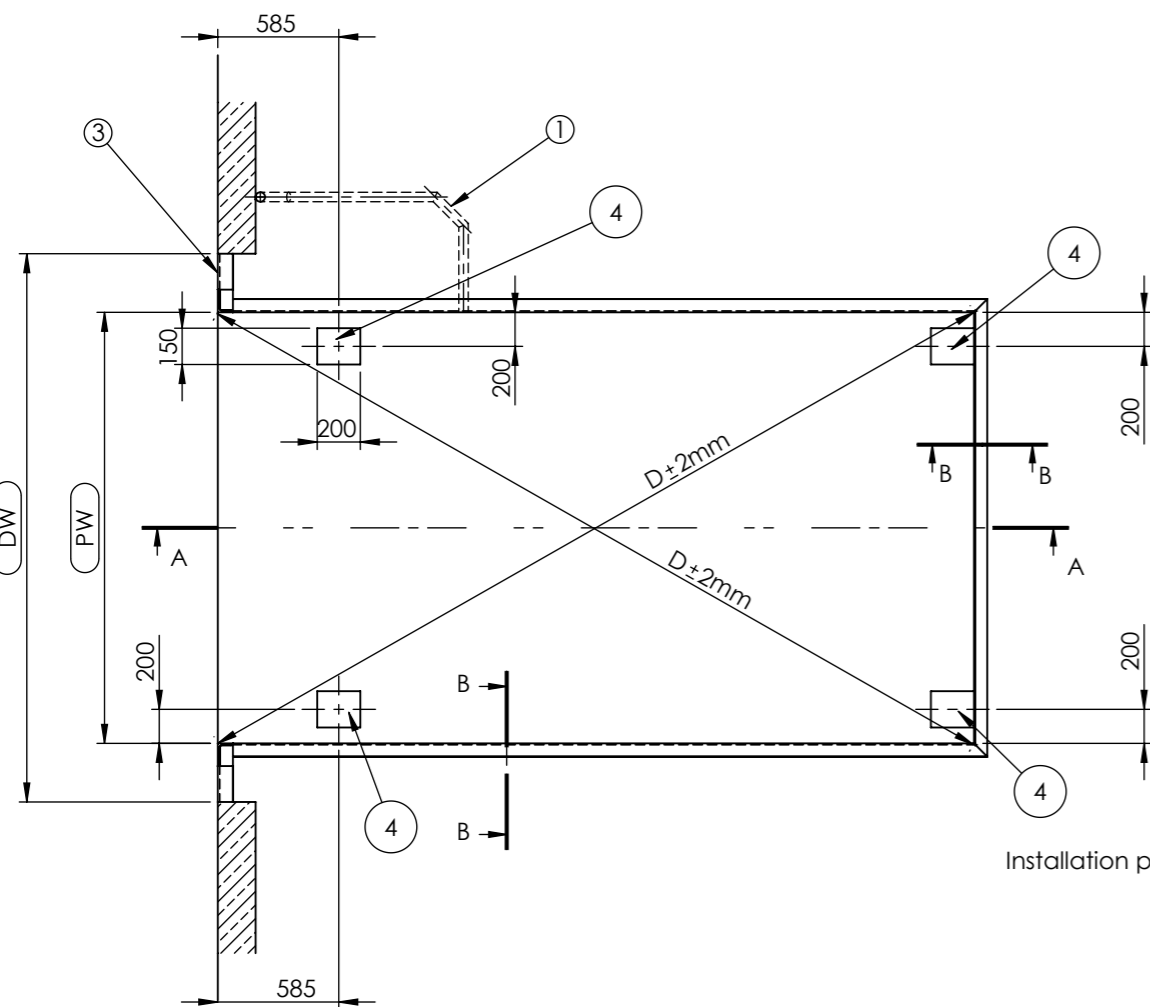


Load capacity	F1
60 kN	57 kN
80 kN	76 kN
100 kN	95 kN



F = The horizontal impact load F (100kN) must be absorbed by the structure.  
F1= cross traffic position

Placement of the conduits: either on the right or on the left side.  
Illustration: installation on the right side

DH	Dock height	by others
DW	Door width	
OK-FF	Finish floor level	
OK-H	Yard level	
PL	Pit length	1 -Conduit for wiring internal diameter min. 50mm angles <45°
PW	Pit width	2 -Cast in frame (suggestion: L 70x70x7)
PD	Pit depth	3 -Steel profile e.g. angle 120x80x10
NL	Nominal length	4 - Contact plates to be fixed in the concrete floor 200x150x20 mm
NW	Nominal width	<b>Attention</b>
LH	Leveller height	-Do not deviate from the measurements given
		-The corners of the pit must be square (diagonals must be equal)
		-The preparation of the pit and the dowels by others

NL	1750	2000	2000	2250	2500	2500	2750	3000	3000	3500	4000	4500
LH	700	600	700	700	600	700	700	600	700	800	800	800
PL	1805	2055	2055	2305	2555	2555	2805	3055	3055	3555	4055	4555
PD	720	620	720	720	620	720	720	620	720	820	820	820

NW	PW
1750	1780
2000	2030
2100	2130
2200	2230
2250	2280
2400	2430

DIMENSIONS ARE IN MILLIMETERS

DO NOT SCALE DRAWING

REVISION C

MATERIAL:

	NAME	SIGNATURE	DATE
DRAWN	R. Stuszczyk		24.05.2023
CHK'D			
APPV'D			
MFG			
Q.A			

**PJP MAKRUM**  
Industrial Group  
**PJP MAKRUM S.A.**  
Plac Kościeleckich 3  
85-033 Bydgoszcz  
POLAND

TITLE:

**PT P**  
without tail lift

DWG NO.

**PTE.00.00.18-EN**

A3

WEIGHT:

SCALE:1:50

EN