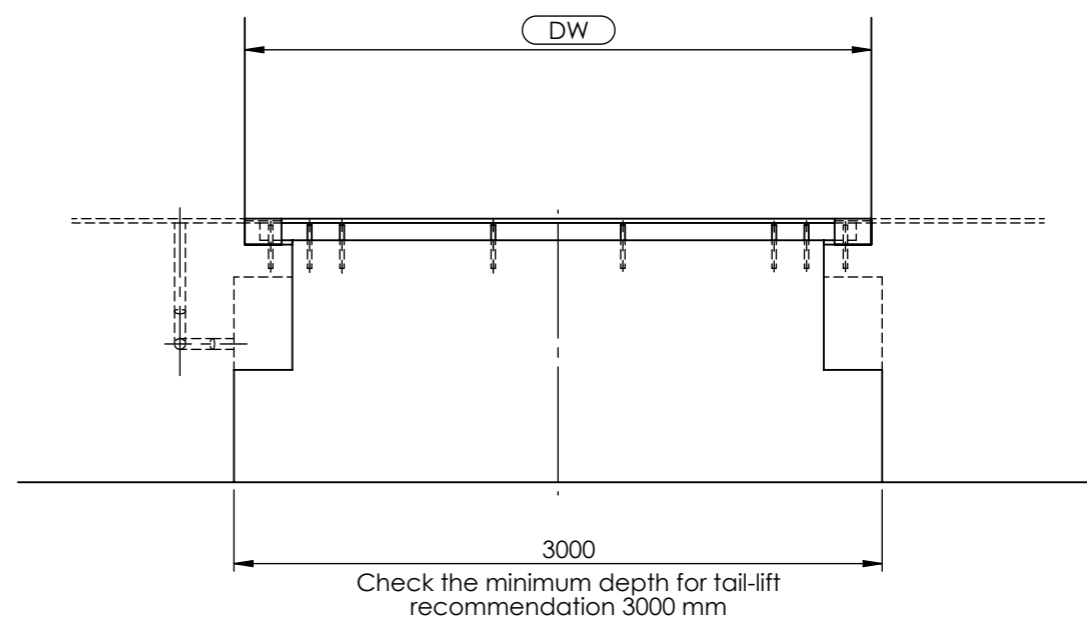
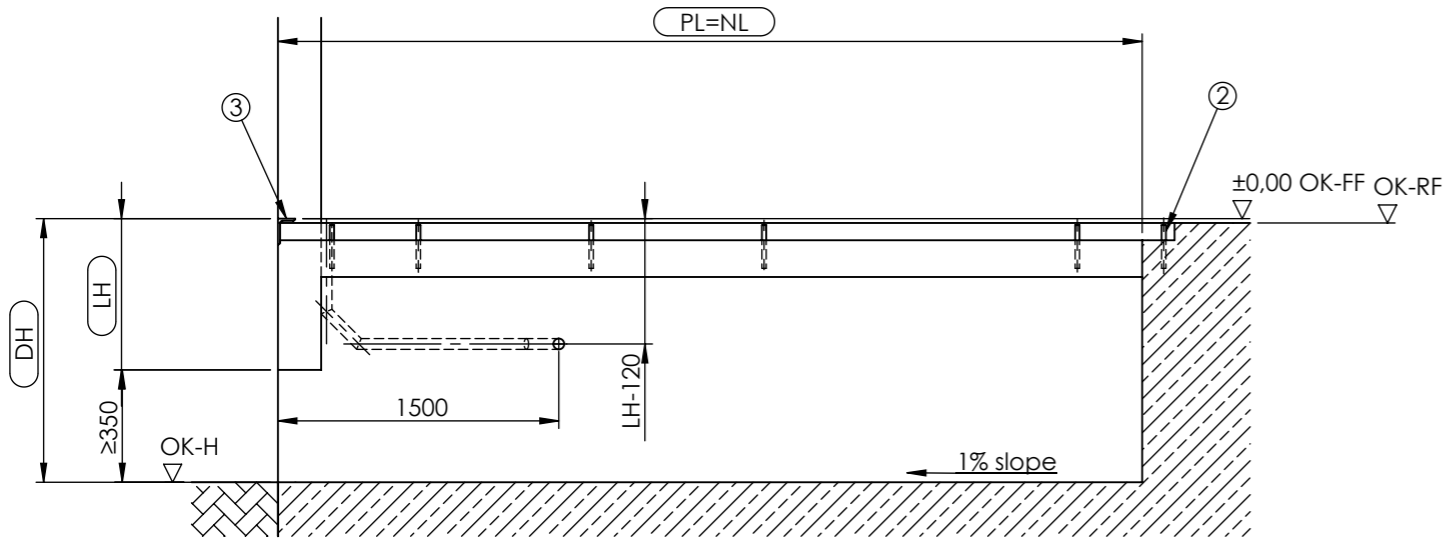
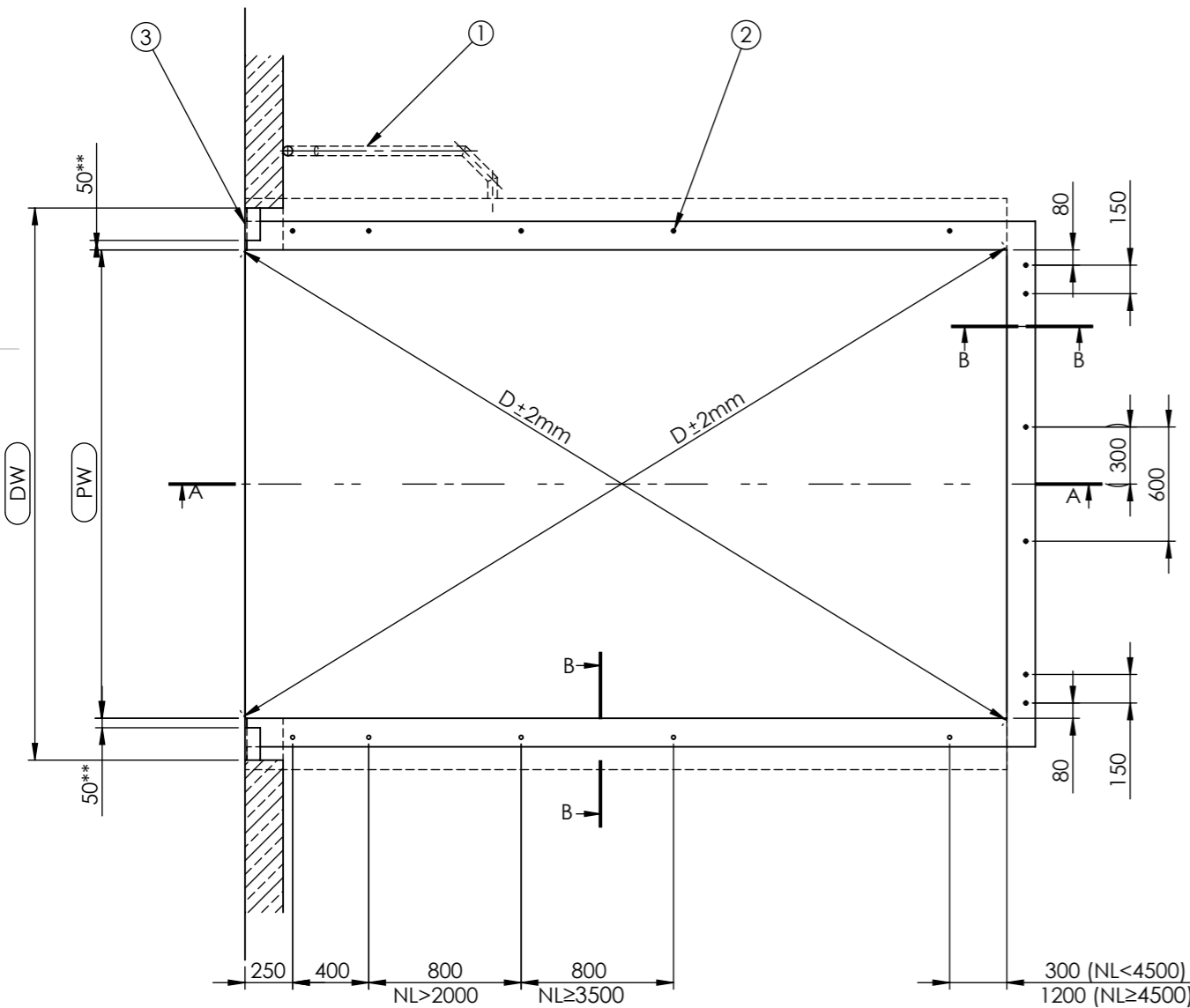


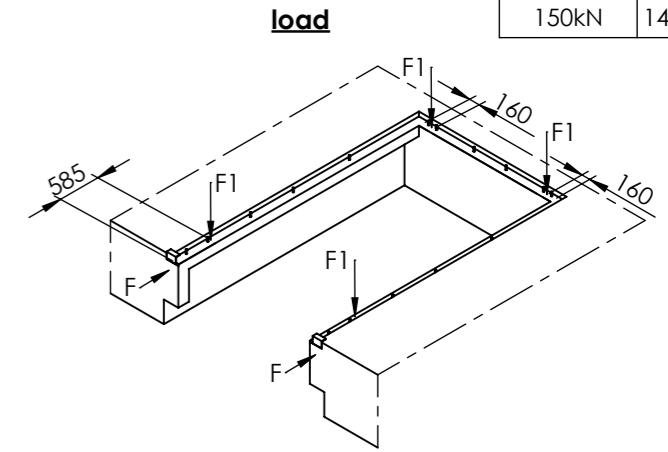
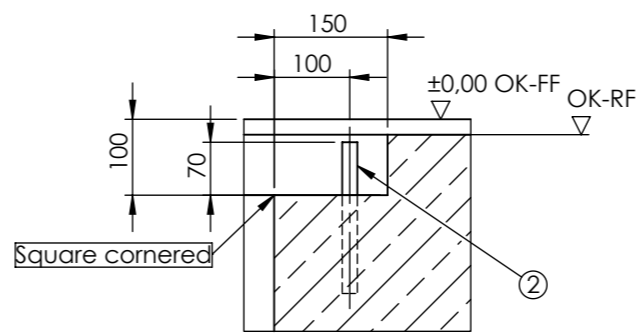
SECTION A-A



load capacity	F1
60 kN	57 kN
80 kN	76kN
100 kN	95kN
120kN	114kN
150kN	143kN



SECTION B-B  
SCALE 1 : 10



F = The horizontal impact load F (100kN) must be absorbed by the structure.  
F1= cross traffic position

Placement of the conduits: either on the right or on the left side.  
Illustration: installation on the right side

DH	Dock height	by others
DW	Door width	1 -Conduit for wiring internal diameter min. 50mm angles <45°
OK-FF	Finish floor level	2 -Plain steel dowel Ø20-200mm
OK-H	Yard level	3 -Steel profile e.g. angle 120x80x10
OK-RF	Floor base	** - 80mm by W-frame
PL	Pit length	Attention
PW	Pit width	-Do not deviate from the measurements given
NL	Nominal length	-The pit walls must be vertical
NW	Nominal width	-The corners of the pit must be square (diagonals must be equal)
LH	Leveller height	-The preparation of the pit and the dowels by others
n	Number fish-tails	*Cast in concrete after welding of the leveller or of the pre-frame. (by others)

NL	1750	2000	2000	2250	2500	2500	2750	3000	3000	3500	4000	4500
LH	700	600	700	700	600	700	700	600	700	800	800	800
n	12	12	12	14	14	14	14	14	14	16	16	16

Installation place drawn: NL=4000  
NW=2400  
LH=800

NW	PW
1750	1810
2000	2060
2100	2160
2200	2260
2250	2310
2400	2460

DIMENSIONS ARE IN MILLIMETERS

DO NOT SCALE DRAWING

REVISION C

	NAME	SIGNATURE	DATE
DRAWN	R. Stuszczak		24.05.2023
CHK'D			
APPV'D			
MFG			
Q.A			

**PJP MAKRUM**  
Industrial Group  
**PJP MAKRUM S.A.**  
Plac Kościeleckich 3  
85-033 Bydgoszcz  
POLAND

TITLE:	DWG NO.	A3
PT T/W with tail lift	PTE.00.00.04-EN	

SCALE:1:50

EN