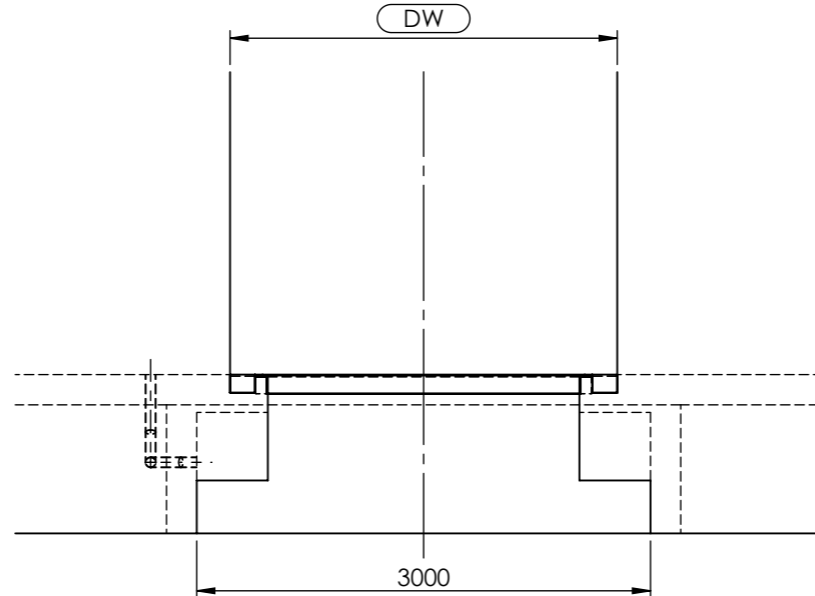
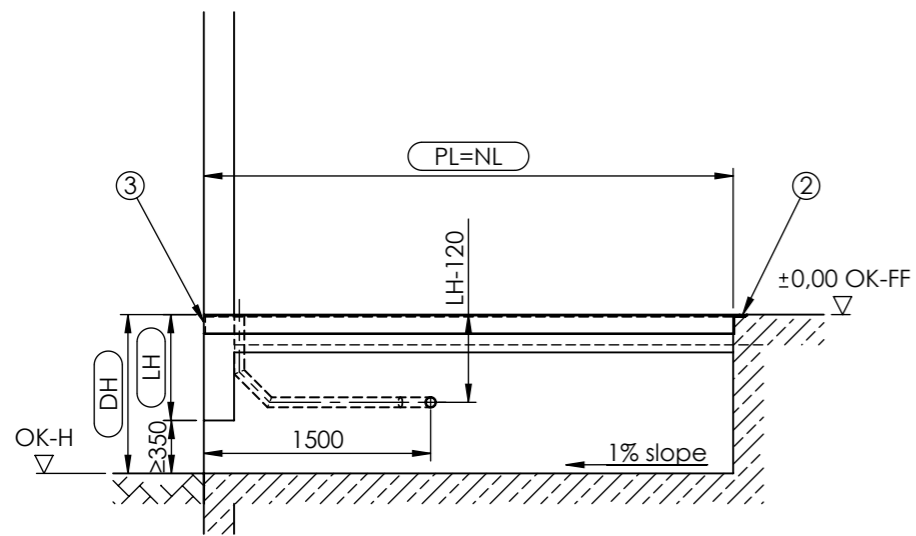
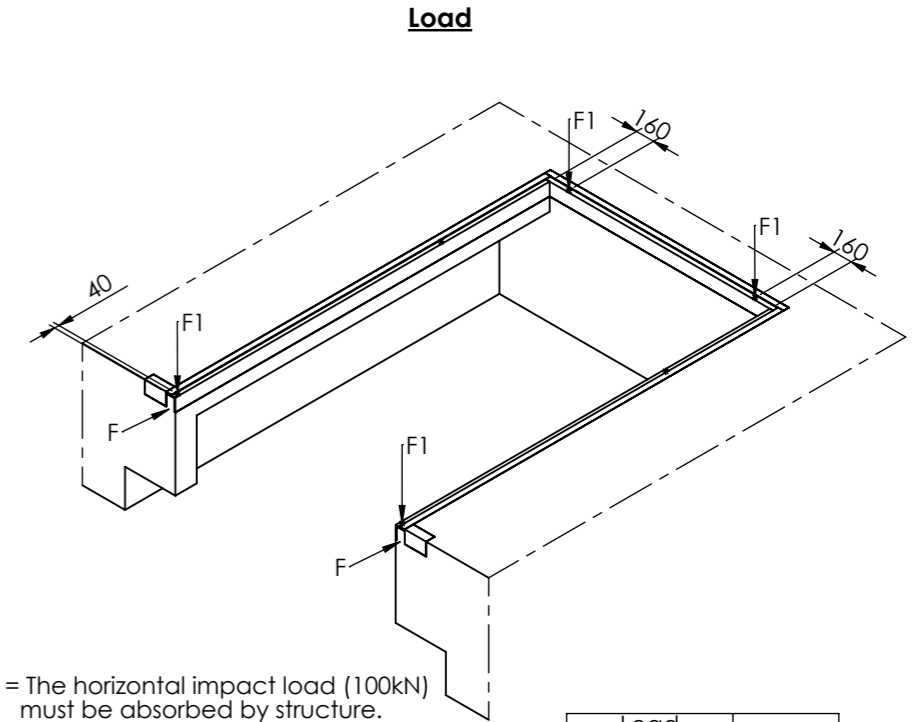


SECTION A-A

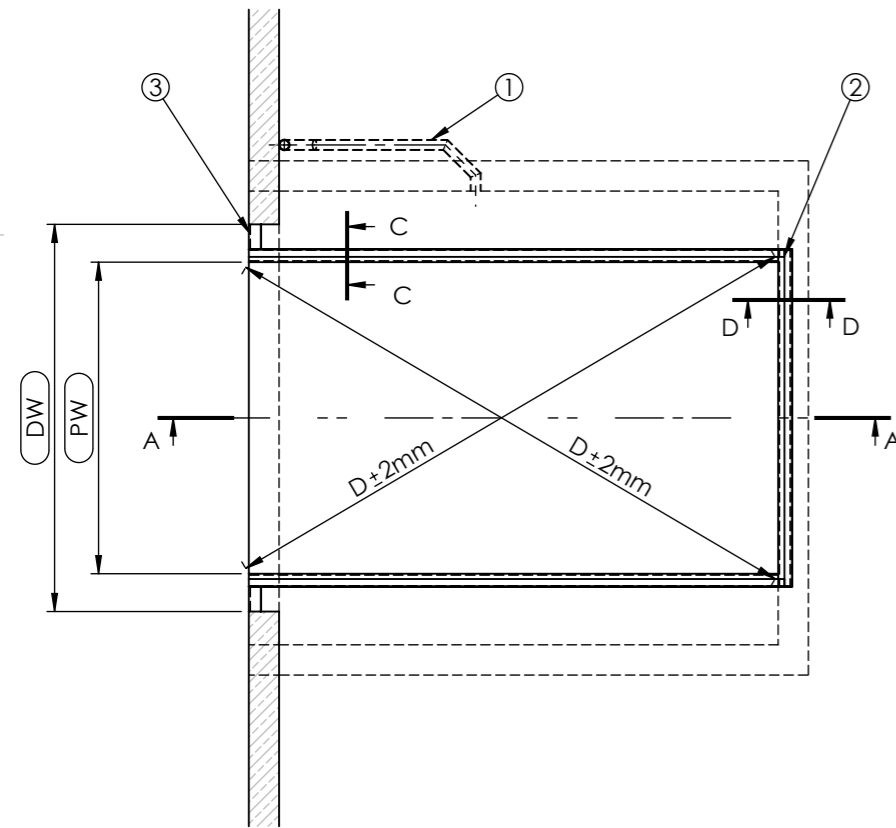


Check the minimum depth for tail-lift, Recommendation 3000 mm

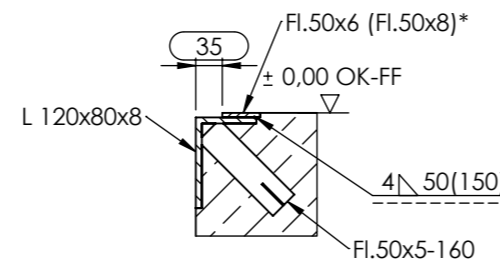


F = The horizontal impact load (100kN) must be absorbed by structure.  
F1 = Cross traffic position

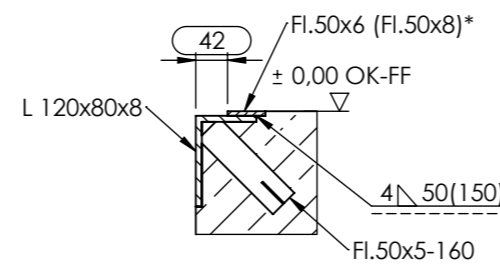
Load capacity	F1
60kN	57kN
80kN	76kN
100kN*	95kN



SECTION C-C  
SCALE 1 : 10



SECTION D-D  
SCALE 1 : 10



Placement of the conduits: either on the right or on the left side.  
Illustration: installation on the right side

- DH = Dock height
- DW = Door width
- OK-FF = Finish floor level
- OK-H = Yard level
- PL = Pit length
- PW = Pit width
- NL = Nominal length
- NW = Nominal width
- LH = Leveller height

- by others:
- ① - Conduit for wiring internal diameter min. 50mm, angles <45°
  - ② - Cast in frame
  - ③ - Steel profile e.g. angle 120x80x10
- Attention:
- Do not deviate from the measurements given
  - The pit walls must be vertical
  - The corners of the pit must be square (diagonals must be equal)
  - The preparation of the pit and the dowels by others

NL	1750	2000	2000	2500	2500	2750	2750	3000	3000	3500	4000	4500
LH	700	600	700	600	700	600	700	600	700	800	900	900

Installation place drawn: NL=3500  
NW=2000  
LH=800

NW	PW
1750	1810
2000	2060
2200	2260
2250	2310

UNLESS OTHERWISE SPECIFIED:  
DIMENSIONS ARE IN MILLIMETERS  
SURFACE FINISH:  
TOLERANCES:  
EN 22768 - m, k  
EN 13920 - B, F

FINISH:

DEBUR AND  
BREAK SHARP  
EDGES

DO NOT SCALE DRAWING

REVISION **C**

MATERIAL:

	NAME	SIGNATURE	DATE
DRAWN	R. Stuszczyk		24.05.2023
CHK'D			
APPV'D			
MFG			
Q.A			



**PJP MAKRUM S.A.**  
Plac Kościeleckich 3  
85-033 Bydgoszcz  
POLAND

TITLE:

PS cast in frame  
with tail lift (by others)

DWG NO.

**PSE.00.00.14-EN**

A3

WEIGHT:

SCALE:1:50

EN