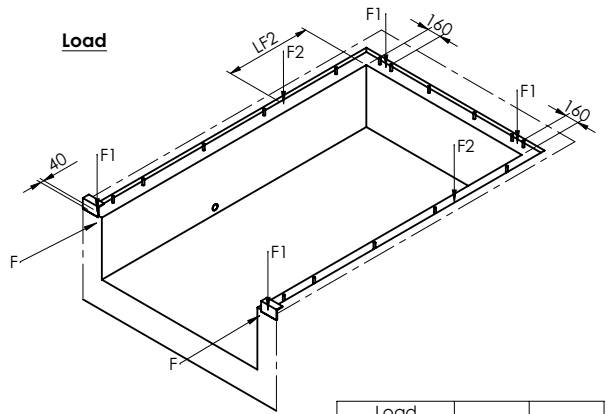
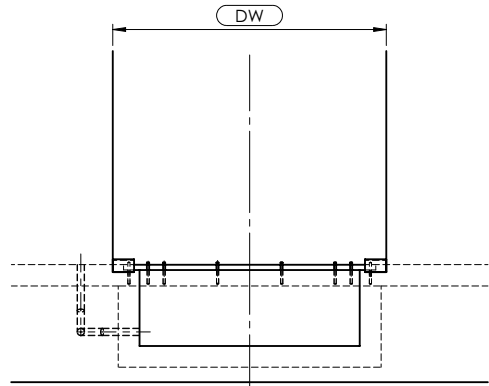
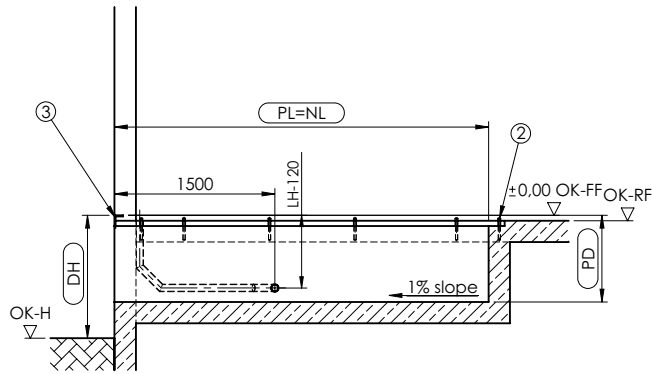


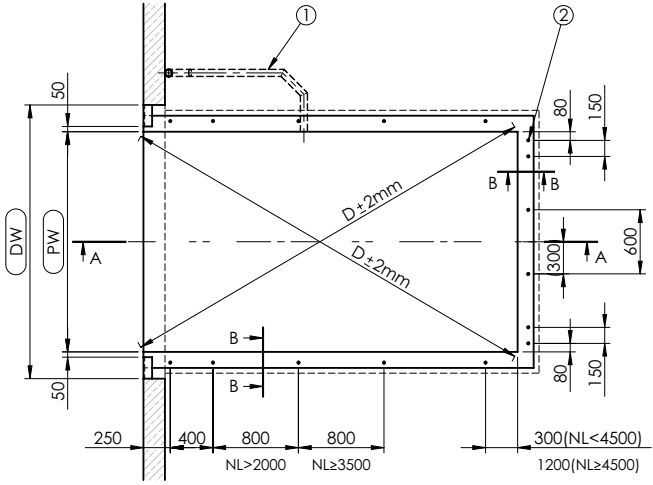
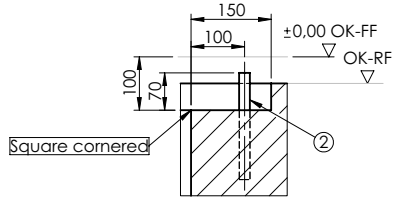
SECTION A-A



F = The horizontal impact load (100kN) must be absorbed by the structure.  
 F1= Cross traffic position  
 F2= Emergency stop

Load capacity	F1	F2
60kN	57kN	42kN
80kN	76kN	56kN
100kN	95kN	70kN
120kN	114kN	84kN
150kN	143kN	105kN

SECTION B-B  
SCALE 1 : 10



Installation place drawn: NL=3500  
 NW=2000  
 LH=800

NL	1750	2000	2000	2500	2500	2750	2750	3000	3000	3500	4000	4500
LH	700	600	700	600	700	600	700	600	700	800	900	900
n	12	12	12	14	14	14	14	14	14	16	16	16
LF2	395	445	545	845	875	1135	1230	895	1045	995	1145	1145
PD	710	610	710	610	710	610	710	610	710	810	910	910

NW	PW
1750	1810
2000	2060
2200	2260
2250	2310

Placement of the conduits: either on the right or on the left side.  
 Illustration: installation on the right side

DH = Dock height	by others: ① - Conduit for wiring internal diameter min. 50mm, angles <45° ② - Plain steel dowel $\varnothing$ 20-200mm ③ - Steel profile e.g. angle 120x80x10  Attention: - Do not deviate from the measurements given - The pit walls must be vertical - The corners of the pit must be square (diagonals must be equal) - The preparation of the pit and the dowels by others *Cast in concrete after welding of the leveller or of the pre-frame. (by others)
DW = Door width	
OK-FF = Finish floor level	
OK-RF = Floor base	
OK-H = Yard level	
PL = Pit length	
PW = Pit width	
NL = Nominal length	
NW = Nominal width	
LH = Leveller height	
n = number fish-tails	
PD = Pit depth	

UNLESS OTHERWISE SPECIFIED: DIMENSIONS ARE IN MILLIMETERS		FINISH:		DEBUR AND BREAK SHARP EDGES		DO NOT SCALE DRAWING		REVISION <b>A</b>	
SURFACE FINISH:						MATERIAL:			
TOLERANCES:									
EN 22768 - m, k									
EN 13920 - B, F									
DRAWN: M. Mierzwicki		SIGNATURE:		DATE: 2013-01-30		TITLE: PS T/W without tail lift			
CHK'D:						PROMStahl GmbH			
APPV'D:						Ronnenerger Straße 20			
MFG:						30989 Gehrden			
Q.A:						DWG NO. PSE.00.00.05		A3	
						WEIGHT:		SCALE: 1:50	
								EN	