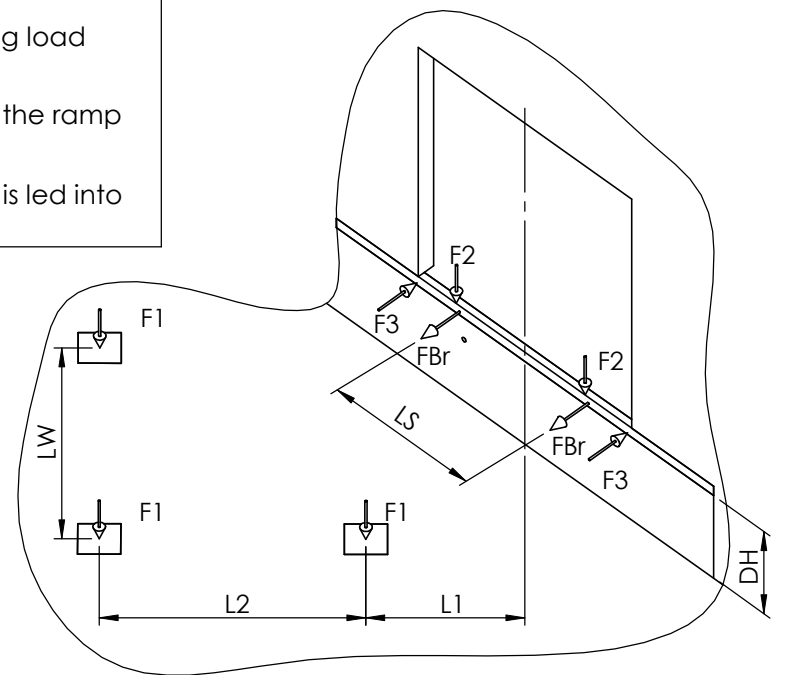


F1 = 72kN Foundation loads  
 F2 = 42kN Load resulting from forklift crossing  
 F3 = 100kN Vehicle impact load  
 FBr = ±10kN Braking and starting load (forklift)  
 Forces F2 and FBr are led into the ramp head via the hinges.  
 The horizontal impact load F3 is led into the building via the ramp.



AW = Installation angle  
 MW = Loading ramp module width  
 NL = Dock leveller nominal length  
 NW = Dock leveller nominal width  
 OK-F = Finish floor level  
 OK-H = Yard level  
 DH = Dock height  
 L2 = Distance of the foundations centre axes and the ramp head  
 LS = Distance of the force impact points at the ramp head for FBr and F2  
 LW = Distance of the force impact points at the foundations  
 L1 = Distance between the outer foundations and the centre axis  
 LP = Length of ramp connection profile  
 DW = Door width

		NL			
		2000	2450	3000	3500
L2		2020	2470	3020	3520

		MW		
		3300	3500	3600
LW		3190	3390	3490

		MW		
		3300	3500	3600
L1		1610	1705	1750
LP		4670	4950	5095

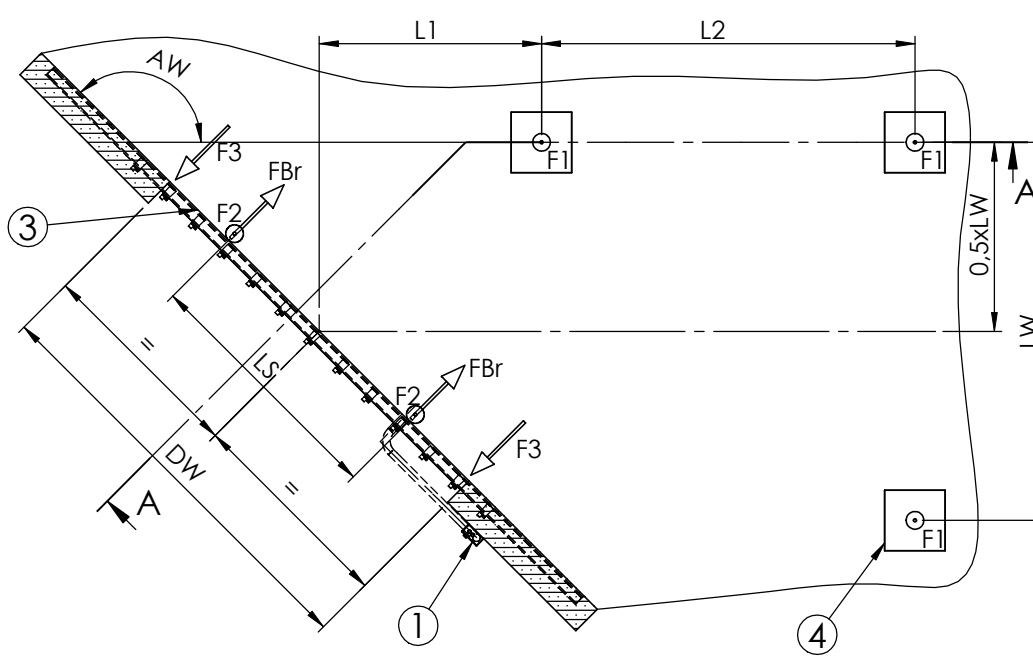
		MW		
		3300	3500	3600
L1		915	970	990
LP		3810	4045	4160

		MW		
		3300	3500	3600
L1		405	430	445
LP		3420	3625	3730

NW	LS
1750	1430
2000	1680
2200	1880
2250	1930
2400	2080



Placement of the conduits: either on the right or on the left side. Illustration: installation on the right side

4	Required contact area 400 x 400 mm
3	Connection profile (min. L120x80x12). Length LP - Length of ramp connection profile
2	Conduit for wiring internal diameter min. 50mm angles <45°
1	Electronic control (included)
Pos.	Reference

UNLESS OTHERWISE SPECIFIED: DIMENSIONS ARE IN MILLIMETERS		FINISH:		DEBUR AND BREAK SHARP EDGES		DO NOT SCALE DRAWING		REVISION	
SURFACE FINISH:						MATERIAL:			
TOLERANCES:									
LINEAR:									
ANGULAR:									
	NAME	SIGNATURE	DATE	 <b>PROMStahl GmbH</b> Ronnenberger Straße 20 30989 Gehrden		TITLE: <b>Foundations of 105°/120°/135° with steel feet</b>			
DRAWN	M. Mierzwicki		2010-11-08						
CHK'D									
APPV'D									
MFG									
Q.A									
WEIGHT:				SCALE:1:50		EN		A3	