

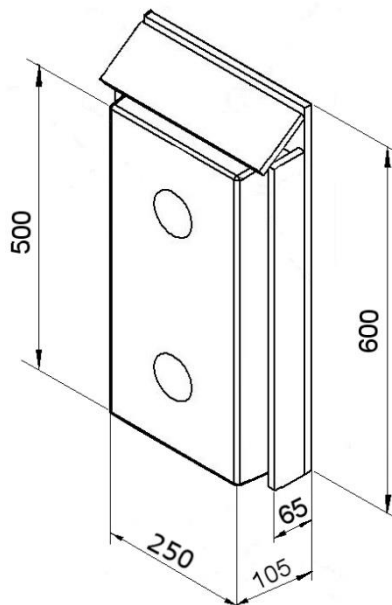
Product datasheet

Buffer PGFS

For higher impact loads buffers with a protective housing are recommended. The sloped protective plate prevents the buffers from being heavily damaged.

Thanks to the lateral flat steel guides the fixing bolts of rubber buffers are optimally protected against shear.

PGFS 90
Rubber element (thickness 90 mm) with protective housing



PGFS 140
Rubber element (thickness 140 mm) with protective housing

