



**PROM STAHL**

Verladetechnik Industrietore

Ronnenberger Straße 20  
30989 Gehrden  
phone +49 (0) 5108 879 270  
www.promstahl.de

## Product datasheet

ALU sectional door  
Type PDAA

Version: 1.3.0

Date: 14.02.2023



## Product datasheet

ALU sectional door

Type: PDAA

### Contact:



**PROM STAHL**

Ronnenberger Straße 20  
D-30989 Gehrden

phone +49 (0) 5108 879 270  
fax +49 (0) 5108 879 2710

info@promstahl.de  
www.promstahl.de

# Contents

- General information .....3
  - When natural light and visibility matter .....4
  - Be adventurous with windows .....4
- ALU 60 mm sectional door .....4
  - The innovative door with even more insulation.....4
  - Special insulation profiles .....4
- Panorama door 40 mm /60 mm .....5
  - Maximum transparency without vertical profiles .....5
  - Plexiglas Optical .....5
- Windows frames.....6
  - Aluminium glazing beads ALU 40/ ALU 60.....6
  - Different options.....6
  - Combining colours .....6
  - Color range.....6
  - ISO panels 40.....6
  - ISO panels 60.....6
  - Wicket and side doors.....7
- Overview of rail systems.....8
- Operators .....9
  - Pull cord – manually operated.....9
  - Chain hoist – manually operated.....9
  - Deadman control unit – electric.....10
  - Touch control unit – electric .....10
  - One touch with remote control .....10
  - Touch control with remote control and high speed motor .....10
- Control box features .....10
  - Extra control features.....10

## General information

ALU sectional doors are designed and manufactured with the latest technologies. They provide almost completely transparent separation between the inner and outer part of the building. These doors are perfect for applications where maximum use of the outside light and transparency are required. The offered doors are characterized by an exceptional strength, large dimensions and a stylish design. Basic and reinforced anodized aluminium profiles are used for the ALU sectional doors. An ALU sectional door will always match the installation site.

All these features make the ALU sectional doors top quality durable products distinguished by their appearance, thermal insulation properties and structural performance. They can constitute an element of the most modern architectural designs that will always comply with technical requirements concerning safety and user-friendly operation. The ALU sectional doors are available with full or transparent bottom sections. They can be controlled manually or electrically.

The aluminium sectional doors are available in the following dimensions:

height: 1800mm – 6000mm

width: 1800mm – 8000mm

A lot of advantages of the ALU sectional doors speak for themselves:

- perfect tight closure between the hall opening and the door, ensuring protection against humidity and draughts
- high quality firm and durable finish
- resistance to deformations and corrosion
- possible creative and functional selection of door section fillings
- a wide range of different light transmitting and visual effect components
- a possible combination with ISO panels available in different colours
- wicket and side doors can be installed in the sectional doors.

The ALU sectional doors fully comply with the requirements of EN 13241-1 and hold a TÜV-NORD approval. The high quality sectional doors fit in very well with modern design of utility facilities.

## ALU 40 mm sectional door



## When natural light and visibility matter

In industrial environments where light and visibility are of paramount importance, the PROMStahl ALU 40 mm sectional door proves to be indispensable. The door panel of an ALU door consists of multiple sections, and thanks to the special-sized aluminium profiles, frames can be manufactured that have a very wide range of uses. Be bold and combine transparent, coloured, insulating or air-permeable windows with aluminium cassette panels. Anything is possible.

## Be adventurous with windows

ALU 40 mm sectional doors can be equipped with plastic window frames of various levels of quality and with different insulation values, colors and structures. Go for coloured glass or hollow-core plates, play with the divisions or combine various ISO panels with the ALU sections for a great result. Thanks to the plethora of design and application options, the ALU 40 mm sectional door is particularly useful if you want to combine an attractive design with optimal light transmittance.

## ALU 60 mm sectional door



## The innovative door with even more insulation

The ALU 60 mm sectional door is a modern innovation that excels in terms of design, function and ease of assembly. The 60 mm thick ALU sectional door comes with triple glazing and guarantees excellent heat insulation, anti-condensation and sound-absorbing properties. It's the perfect solution for rooms where light, visibility and a constant indoor climate are essential

## Special insulation profiles

The ALU 60 mm door is twice as thick as the ALU 40 mm door and consists of two aluminium profiles that are thermally separated by special insulation profiles. The door has an extremely low U-value, even though it is fitted with glazing. The ALU 60 mm sectional door is particularly suited to industrial facilities where illumination is of the utmost importance, as are excellent insulation and optimal energy savings.

## Panorama door 40 mm /60 mm



### Maximum transparency without vertical profiles

The Panorama door is an ALU door available in 40 mm or 60 mm versions. What makes the door so special is that panels do not have vertical dividers, providing a wide panoramic view. The high-quality Plexiglas is extra thick and extra strong, hardly distorts and looks just like real glass. All these features result in the windows being naturally reflective and looking highly attractive.

### Plexiglas Optical

The Panorama door is available in a maximum width of 4,000 mm and a maximum height of 4,500 mm. The Panorama doors look particularly good in buildings that are designed to be appealing, but are just as important where light and visibility matter. The special thing about the high quality Plexiglas Optical is that it looks just like real glass but has the added safety of plastic. The Plexiglas Optical windows are available in 20 mm double glazing and in 40 mm triple glazing.



Panorama door 40 mm  
Double Plexiglas  
Optical 20 mm  
(4-12-4 mm)  
U-value of the Panorama door 40:  
4,000 x 4,000 mm:  
4.35 W/m<sup>2</sup>K



Panorama door 60 mm  
Triple Plexiglas  
Optical 40 mm  
(4-14,75-2,5-14,75-4 mm)  
U-value of the Panoramic door 60:  
4,000 x 4,000 mm:  
2.45 W/m<sup>2</sup>K

# Windows frames

## Aluminium glazing beads ALU 40/ ALU 60

PROMStahl is one of the few companies to always use anodized aluminium glazing beads. You will often see windows fixed in place using a black plastic bead, which is not only less attractive and less durable, but also has a different coefficient of expansion than aluminium. If it is warm outside, the plastics is more likely to expand, resulting in bulging glazing beads, this will not happen with our aluminium glazing beads. Another advantage is that our glazing beads are available in any colour you wish.

### Different options

PROMStahl offers limitless choices in glazing for ALU doors. Windows of various levels of quality, colours, degrees of transparency and styles are available, giving architects all the room they need to get creative with the design of your ALU doors. Choose from single-plate acrylic or 4 mm tempered glass, double-plate acrylic windows or structural glass, or from perforated single panels or high-impact plastic. The possibilities are endless.

### Combining colours

The standard ALU door comes in white anodized aluminium. This does not mean that there are no alternative colour options. We can spray-paint the aluminium in any colour you wish. And by combining the aluminium with Rodeca glazing or ISO panels in one of the 19 colours or 14 colours from PROMStahl's colour range, the design options are limitless.

### Color range

PROMStahl provides 19 standard colors (ISO panels 40) and 14 standard colors (ISO panels 60) (no extra charge).

#### ISO panels 40

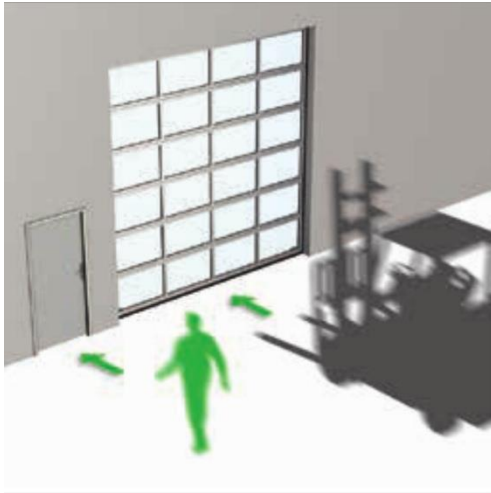
RAL 3000	Flame red	RAL 7035	Light grey
RAL 5003	Sapphire blue	RAL 8014	Sepia brown
RAL 5010	Gentian blue	RAL 9002	Grey white
RAL 6005	Moss green	RAL 9005	Jet black
RAL 6009	Fir green	RAL 9006	White aluminium
RAL 7005	Mouse grey	RAL 9007	Grey aluminium
RAL 7015	Slate grey	RAL 9010	Pure white
RAL 7016	Anthracite grey	BS10A05	Goosewing Grey
RAL 7021	Black grey	BS18B25	Merlin Grey
RAL 7022	Umbra grey		

#### ISO panels 60

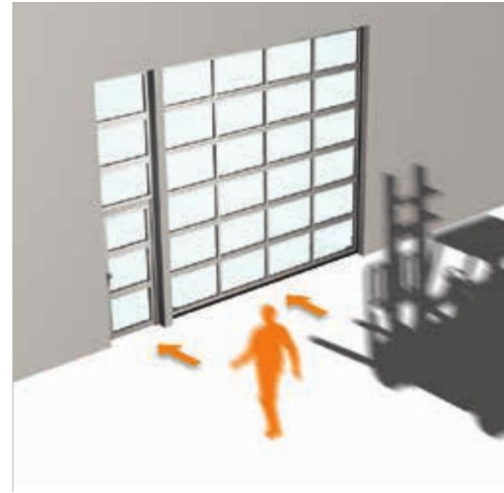
RAL 3000	Flame red	RAL 7022	Umbra grey
RAL 5010	Gentian blue	RAL 7035	Light grey
RAL 6005	Moss green	RAL 8014	Sepia brown
RAL 6009	Fir green	RAL 9002	Grey white
RAL 7005	Mouse grey	RAL 9006	White aluminium
RAL 7015	Slate grey	RAL 9007	Grey aluminium
RAL 7016	Anthracite grey	RAL 9010	Pure white

## Wicket and side doors

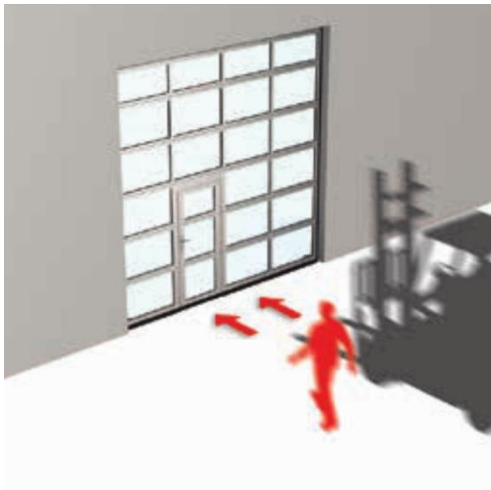
While a wicket door can be built into an ALU PROMStahl door.



Completely separate doors for pedestrians and goods.



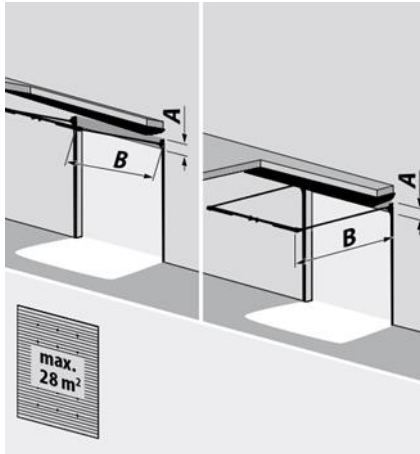
Separate doors for pedestrians and goods, but in the same opening structure.



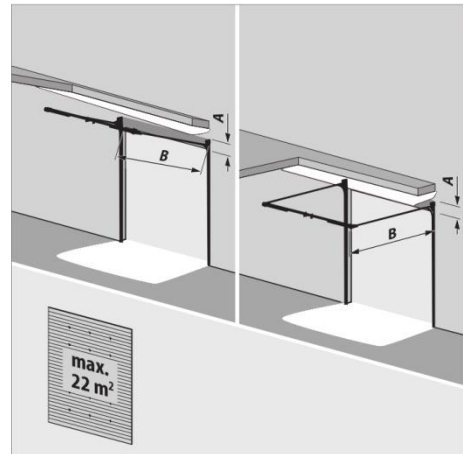
Wicket door for people built into a sectional door for goods.

## Overview of rail systems

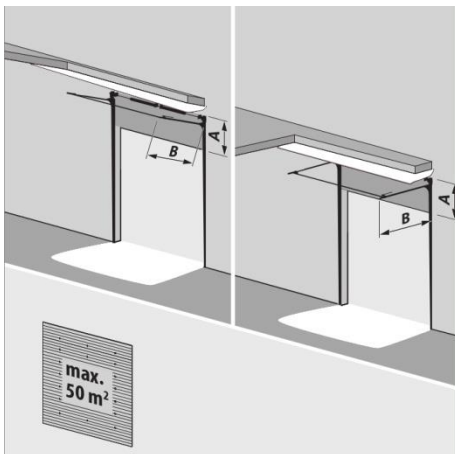
Of course the space available for the door and structural issues are decisive factors when it comes to installing a door, that's why PROMStahl offers different rail systems that can be customized to suit any scenario.



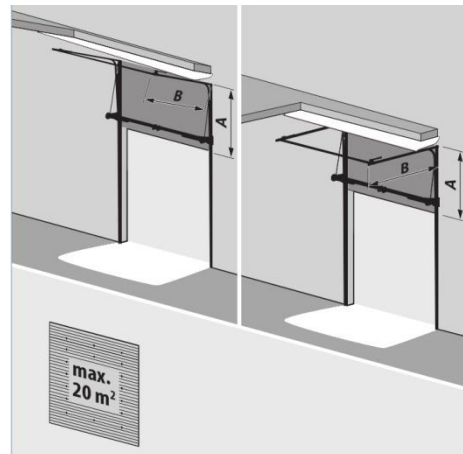
**T 240**  
 Low built-in rail system, incorporated cables + steel support profile  
 A = 240 mm, B = open height + 1,000 mm  
 Width max. 7,000 mm



**T 340**  
 Standard rail system, rear suspension package + steel support profile  
 A = 340 mm, B = open width + 750 mm  
 Width max. 6,500 mm

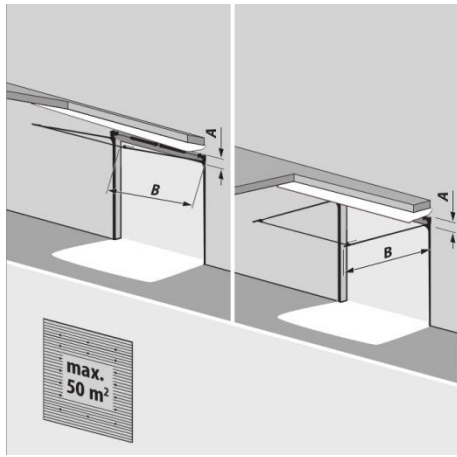


**T 400**  
 Elevated rail system  
 A = hoisting + 400 mm,  
 B = open height – hoisting + 600 mm

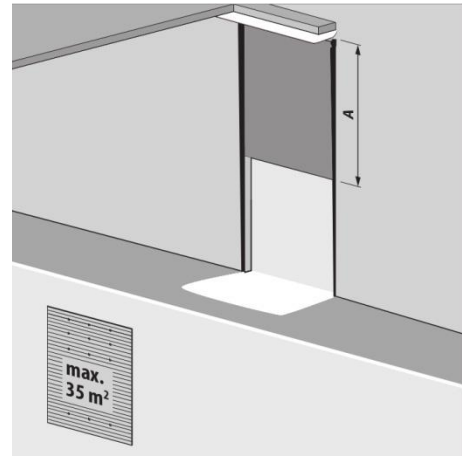


**T 400 hF**  
 Elevated rail system with low spring axis + steel support profile  
 A = hoisting + 200 mm,  
 B = open height – hoisting + 600 mm  
 Width max. 4,500 mm, Lift min. 1,450 mm

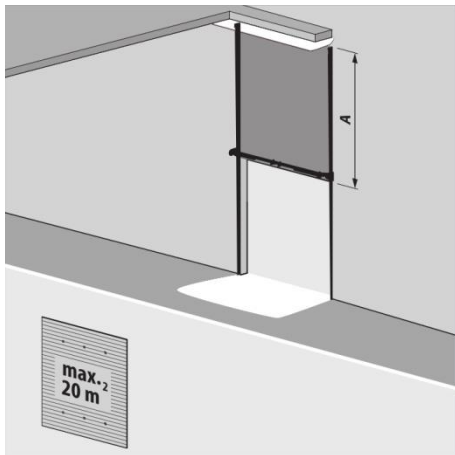




**T 450**  
 Standard rail system  
 (standard)  
 A = 430 mm to 700 mm,  
 B = open height + 650 mm



**T 500**  
 Vertical rail system  
 A = open height + 550 mm



**T 500 hF**  
 Vertical rail system with low spring axis + steel support profile  
 A = open height + 400 mm,  
 Width max. 4,500 mm

## Operators

PROMStahl offers a variety of operators for powering sectional doors. A manual system is ideal for doors that are not used frequently, whereas an electrically powered system with touch control is best for doors that are in constant use. Depending on the door configuration and your requirements, there is always a type of drive to suit your needs. All our drive systems and operators meet the European EN-13241-1 standard.

### Pull cord – manually operated

If your door is smaller than 16 m<sup>2</sup> and you use it only sporadically, then your best option is the pull-cord mechanism. However, the system requires physical exertion (1:1 ratio) and there is a risk the door will not open sufficiently which may result in damage.

### Chain hoist – manually operated

The chain hoist requires less physical exertion than a pull-cord (1:4 ratio). The system – suitable for sectional doors up to 30 m<sup>2</sup> – ensures that the door can be secured in the uppermost position.

## **Deadman control unit – electric**

This system is an excellent choice when a door is used infrequently. One push of the button is all that's needed to open the door, although you have to keep it depressed to close the door. This enables the person operating the controls to keep an eye out for any dangerous situations that may arise while the door is closing.

## **Touch control unit – electric**

If the doors are in constant use then go for a touch control system. The door raises or lowers automatically to a set position, which can be electronically adjusted without having to keep the button depressed. An obstacle detection system is built into the door's bottom seal.

## **One touch with remote control**

The touch control system is also perfect for remote operation and can save a lot of time because it allows the forklift driver to remain seated while the door is opened or closed remotely. This option includes a stationary photoelectric safety sensor, which is fitted to the door.

## **Touch control with remote control and high speed motor**

If the doors are in constant use then go for a touch control system. The door raises or lowers automatically to a set position which can be electronically adjusted without having to keep the button depressed. An obstacle detection system has been built into the door's bottom seal.

## **Control box features**

PROMStahl offers a wide range of top-quality control for your sectional door that can be integrated into the door system's control box. Numerous elements can also be mounted on an interior or exterior wall.

- Main switch with padlock
- Key switch
- Two-setting switch
- Motor with emergency chain
- Motor with release system
- Emergency stop
- Wireless communication

## **Extra control features**

- Key switch
- Electronic keypad
- Extra control panel
- Traffic lights and warning lights
- Pull switch
- Remote control

## **Operation in case of emergency and safety devices**

In standard, all motor systems are equipped with an operation feature for emergency cases being located on the reduction gear housing. The used electrical motors can be operated electrically and mechanically. Thanks to the mechanical system, the sectional doors can always be opened in the case of a power failure. This feature has to be activated and deactivated manually by using ropes.